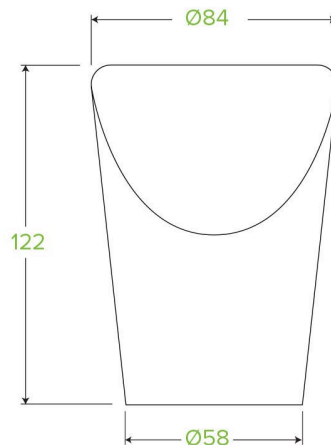


Small Chip Cup BCH-12



Carton quantity: 1000	Sleeves per carton: 20	Units per sleeve: 50
Carton Size LxWxH (cm): 52.5 x 32.0 x 37.5	Carton gross weight (kg): 9.600000	Carton barcode: 19344062022562
Raw material: Paper - FSC™ Mix certified paper	Lining/coating: Bioplastic - Ingeo®, PLA	Window material: None
Printing Type: Offset	Inks: Food Contact Safe Inks	Brim fill capacity (ml): 390
Dimensions top LxW (mm): 84x84	Dimensions base LxW (mm): 58x58	Product Depth: 122.0
Product weight (g): 7.7	Thickness: 303gsm	Use: Hot and cold
Manufactured: China	Customise: Print	MOQ custom: 30000
Mould fees: No	Environmental production certified: ISO 14001	Quality product certified: ISO 9001 pending
Factory food safety certified: ISO 22000	Corporate social accreditation: BSCI	Home compostable: No
Industrially compostable: Pending Certification to AS4376 Australian Standards	Recyclable: No	