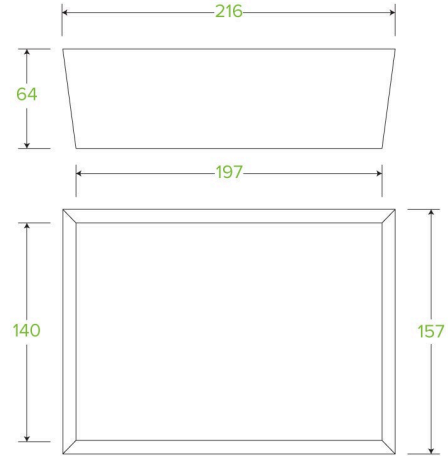


## Large BioBoard Lunch Box BB-LBL-3



|   |  |  |
|---|--|--|
| <b>Carton quantity:</b> 200   | <b>Sleeves per carton:</b> 4                         | <b>Units per sleeve:</b> 50                        |
| <b>Carton Size LxWxH (cm):</b> 59.0 x 38.0 x 45.5                                     | <b>Carton gross weight (kg):</b> 10.500000           | <b>Carton barcode:</b> 19344062028090              |
| <b>Raw material:</b> Paper - FSC™ Mix certified paper                                 | <b>Lining/coating:</b> Bioplastic - Ingeo®, PLA      | <b>Window material:</b> None                       |
| <b>Printing Type:</b> Offset  | <b>Inks:</b> Food Contact Safe Inks                  | <b>Brim fill capacity (ml):</b> 2009               |
| <b>Dimensions top LxW (mm):</b> 216x157   | <b>Dimensions base LxW (mm):</b> 197x140             | <b>Product Depth:</b> 64.0                         |
| <b>Product weight (g):</b> 44.3   | <b>Thickness:</b> 337gsm + 30gsm PLA                 | <b>Use:</b> Hot and cold                           |
| <b>Manufactured:</b> China  | <b>Customise:</b> Print                              | <b>MOQ custom:</b> 30000                           |
| <b>Mould fees:</b> No   | <b>Environmental production certified:</b> ISO 14001 | <b>Quality product certified:</b> ISO 9001 pending |
| <b>Factory food safety certified:</b> ISO 22000                                       | <b>Corporate social accreditation:</b> BSCI          | <b>Home compostable:</b> No                        |
| <b>Industrially compostable:</b> Pending Certification to AS4376 Australian Standards | <b>Recyclable:</b> No                                |  |