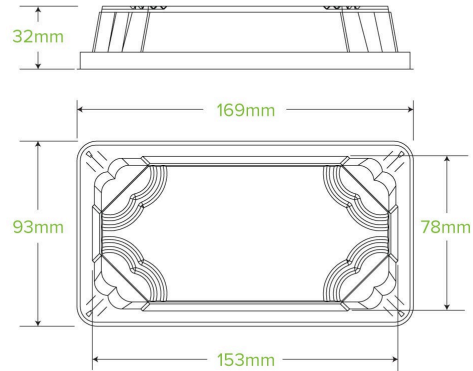


## Small BioCane Sushi Tray PLA Lid B-STL-SMALL



<b>Carton quantity:</b> 600	<b>Sleeves per carton:</b> 12	<b>Units per sleeve:</b> 50
<b>Carton Size LxWxH (cm):</b> 59.0 x 49.5 x 19.5	<b>Carton gross weight (kg):</b> 3.490000	<b>Carton barcode:</b> 19344062044618
<b>Raw material:</b> Bioplastic - Ingeo™ PLA	<b>Lining/coating:</b> Anti-fog	<b>Window material:</b> None
<b>Printing Type:</b> None	<b>Inks:</b> None	<b>Dimensions top LxW (mm):</b> 169x93
<b>Dimensions base LxW (mm):</b> 169x93	<b>Product Depth:</b> 32.0	<b>Product weight (g):</b> 5.05
<b>Use:</b> Hot and cold	<b>Manufactured:</b> Taiwan	<b>Customise:</b> None
<b>MOQ custom:</b> 1000000	<b>Mould fees:</b> Yes - see custom packaging	<b>Factory food safety certified:</b> HACCP
<b>Corporate social accreditation:</b> Certification Pending	<b>Home compostable:</b> No	<b>Industrially compostable:</b> Certified to AS4376 Australian Standards
<b>Recyclable:</b> No		