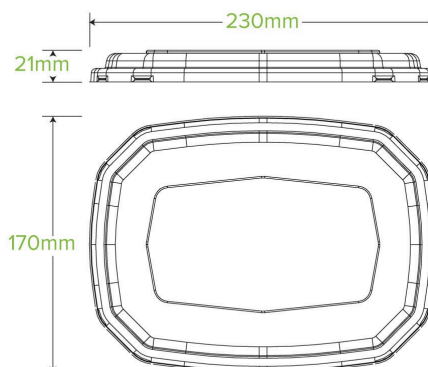


600 & 950ml RPET Octagonal Takeaway Lid B-LBL-OCTA-RPET(D)



Carton quantity: 400	Sleeves per carton: 8	Units per sleeve: 50
Carton Size LxWxH (cm): 46.0 x 45.0 x 35.0	Carton gross weight (kg): 8.200000	Carton barcode: 19344062053696
Raw material: Plastic - PET (Polyethylene Terephthalate)	Lining/coating: None	Window material: None
Printing Type: None	Inks: None	Dimensions top LxW (mm): 230x170
Dimensions base LxW (mm): 230x170	Product Depth: 21.0	Product weight (g): 18.4
Use: Hot and cold	Manufactured: China	Customise: Emboss
MOQ custom: 100000	Mould fees: Yes - see custom packaging	Environmental production certified: ISO 14001
Quality product certified: ISO 9001	Factory food safety certified: BRC, HACCP	Corporate social accreditation: BSCI, SMETA
Home compostable: No	Industrially compostable: No	Recyclable: Yes - In The Plastic Recycling if Not Contaminated With Food